

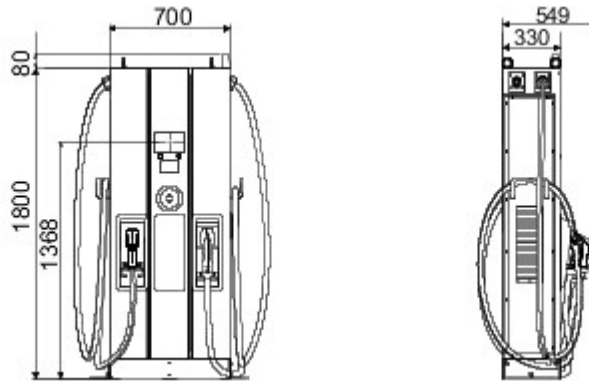


I-FAST products are JOINON solutions for fast DC charging, ideal for charging all types of electric vehicles equipped with high voltage systems in private or public high-speed car parks, highways and superhighways and service areas. The offer consists of wallboxes up to 30 kW and stations up to 180 kW.

The design and finishes that characterize them make them an urban and extra-urban furniture product, with a graphic display for a better User Experience and use of services for the Driver.

Power specification - AC input		Environmental	
Input voltage	3Φ 380 ± 415 Vac	Operating temperature	-30°C + +50°C
AC input connection	3P+N+PE (Wye configuration), TN/TT	Humidity	5% ÷ 95% RH, Non-Condensing
Max input current	DC System: 3Φ 118 A	Altitude	≤ 2.000 m
Frequency	50 Hz / 60 Hz	IP degree	IP55
Power factor	> 0.99	Mechanical resistance	IK10 (not including screen & RFID module)
Efficiency	> 94% (at optimize V/I point)	Cooling method	Fan cooling
Power specification - DC input		Mechanical	
Output voltage range	CCS2: 150 ÷ 950 Vdc	Dimension	700 mm x 330 mm x 1.800 mm
Max output current	CCS2: 120A @ 500Vdc	Weight	235 kg
Maximum output power	60 kW	Cable length	4 m
Voltage/Current accuracy	±2%	Protection	
User interface & control		Input protection	OVP, OCP, OPP, OTP, UVP, RCD, SPD
Display	7" TFT-LCD	Output protection	SCP, OCP, OVP, LVP, OTP, IMD
Push buttons	Operation Buttons / Emergency Stop Button	Regulation	
User Authentication	RFID: support ISO 14443A/B, ISO 15693, FeliCa Lite-S (RCS966), OCPP 1.6 JSON, QR Code, App	Safety	CE, CB
Meter		Certificate	IEC 61851-1, IEC 61851-23, IEC 61851-21-2
Communication		Charging interface	DIN 70121, ISO 15118
External	Ethernet, Wi-Fi and 4G	Contactless Solution	
Internal	CAN bus / RS485	Payter	

DIMENSIONAL



TECHNICAL SYMBOLOGY

IP

IP55

IK

IK10 (not including screen & RFID module)